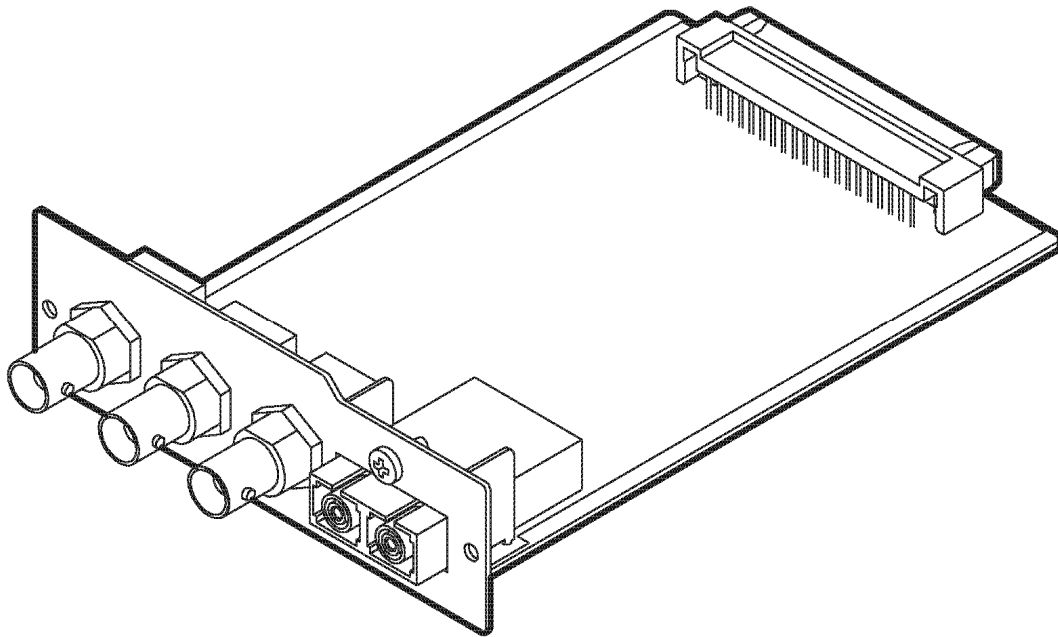


Product Spec Sheet
MADI Interface CARD
IF-MA64/EX
IF-MA64/BN



■ **Specifications**

Ratings

• **Channels and formats**

Sampling Frequency

44.1/48 kHz:	48k frame, 56/64 channels
88.2/96 kHz:	48k frame, 28/32 channels
	96k frame, 28/32 channels

Digital audio input/output ratings

• **MADI COAXIAL IN connector**

Connector:	BNC coaxial 75 Ω
Format:	AES10-2008

• **MADI OPTICAL IN connector (IF-MA64/EX only)**

Connector:	FDDI duplex SC connector (62.5 μ m core diameter/ 125 μ m clad diameter or 50 μ m/125 μ m multi-mode optical fiber cable)
Format:	AES10-2008

• **MADI COAXIAL OUT connector**

Connector:	BNC coaxial 75 Ω
Format:	AES10-2008

•MADI COAXIAL THRU connector (IF-MA64/EX only)

Connector: BNC coaxial 75 Ω
Format: AES10-2008

•MADI OPTICAL OUT connector (IF-MA64/EX only)

Connector: FDDI duplex SC connector (62.5 μ m core diameter/ 125 μ m clad diameter or 50 μ m/125 μ m multi-mode optical fiber cable)
Format: AES10-2008

Other

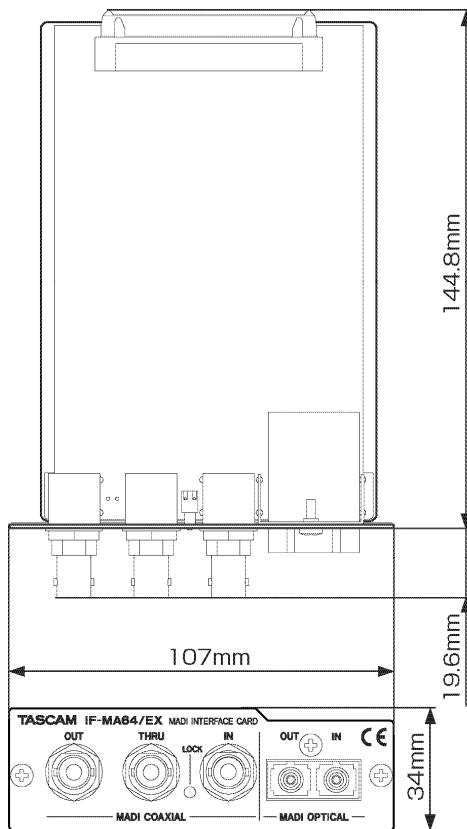
•Dimensions

107 x 34 x 164.4 mm (width × height × depth, including protrusions)

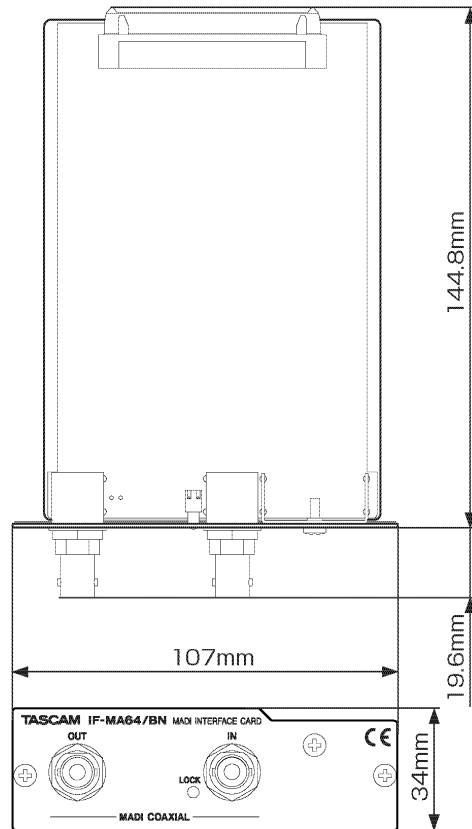
•Weight

166 g (IF-MA64/EX), 137 g (IF-MA64/BN)

■ Dimensional drawings



IF-MA64/EX



IF-MA64/BN

※TASCAM is trademark of TEAC CORPORATION, registered in the U.S. and other countries.

※Other company names, product names and logos are the trademarks or registered trademarks of their owners.

※Specifications and appearance are subject to change without notice.

※All information included in this document is as of Sep, 2015.