

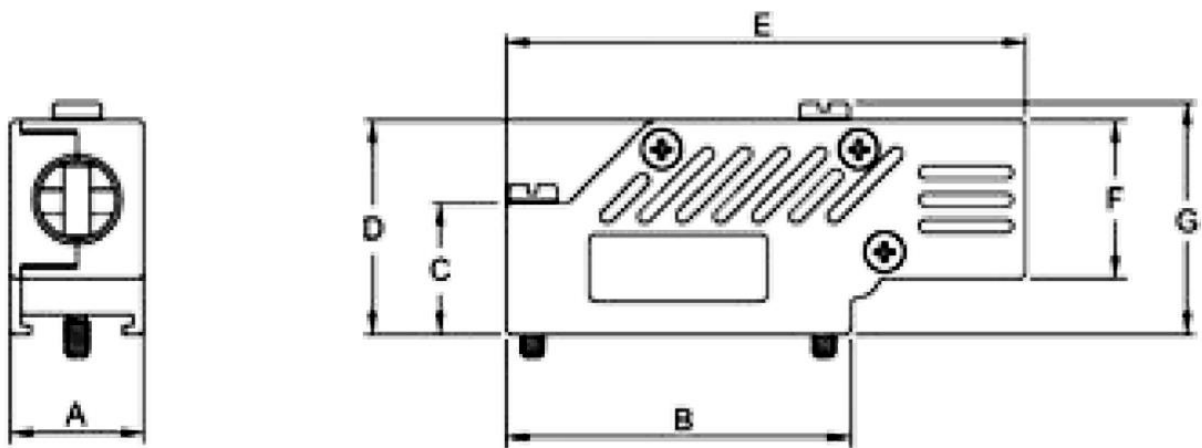


Technical specifications

Material: Zinc, Nickel Plated
Operating temperature: -25°C to +90°C
Cable entry: 90° Entry
Thumbscrews: UNC 4-40
Cable diameter: Up to 18.4 mm
Type of grommets: Compression Inserts

Features

- Available in sizes 9-15-25-37-50
- Suitable for any common Sub-D connector
- Re-openable
- Compression Inserts in Thermoplastic Compound



Size	A	B	C	D	E	F	G
9-way	15.0	30.8	15.0	24.4	50.8	18.0	26.2