



SPG1708_R01

yellobrik®

yellobrik®

Quick Reference

Technical Specifications

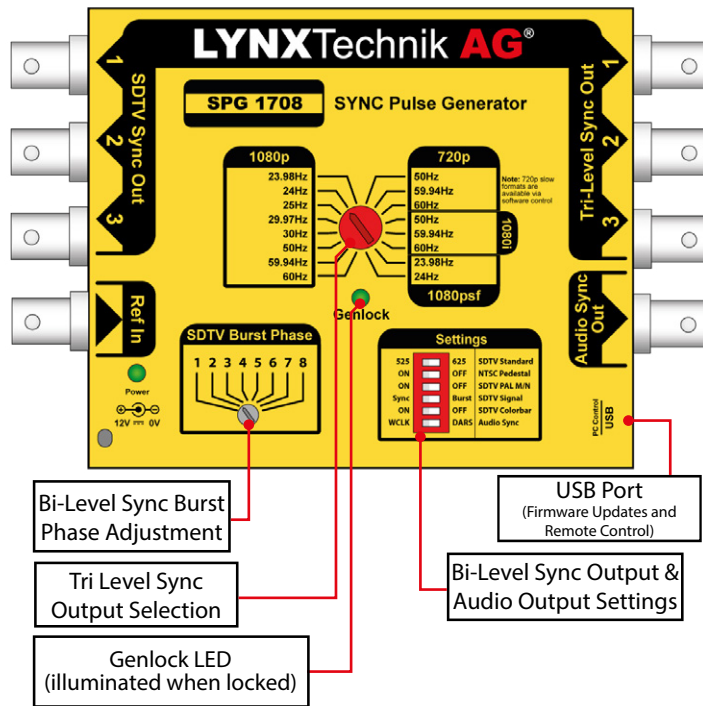
HD Sync	3xTri-level Sync outputs. Accuracy 2ppm
	1080i 50Hz / 59.94Hz / 60Hz
	1080p 23.98Hz / 24Hz / 25Hz / 29.97Hz / 30Hz / 50Hz / 59.94Hz / 60Hz
	720p 23.98Hz / 24Hz / 25Hz / 29.97Hz / 30Hz / 50Hz / 59.94Hz / 60Hz
	1080psf 23.98Hz / 24Hz
	SMPTTE 274M, SMPTTE 296M
	Selectable via integrated 16 position rotary switch
	Return Loss > 40dB up to 5MHz
	SNR > 75dB
SD Sync	3x Bi-Level Sync outputs
	NTSC, PAL, PAL M/N
	SMPTTE 170M, IUT-R BT 470.6
	Selectable: 75% color bars / black-burst / sync only
	NTSC 7.5 IRE pedestal ON/OFF (Adjustable Burst Phase)
	Return Loss > 40dB up to 5MHz
	SNR > 75dB
Ref Input	Bi-Level or Tri-Level Analog Sync, SMPTTE 274M, SMPTTE 296M
	Crossclock compatible to 525 and 625 SD sync and all HD sync standards
Audio Sync	Selectable 48kHz Word Clock or DARS
	48kHz Word Clock: 0 - 5.0V
	DARS: SMPTTE 276M unbalanced AES (24-bits) - Grade 2
Power	+12V DC @ 2.4W nominal - (supports 7-17V DC input range)

Stay up to date,
visit the product page.



SPG 1708

Sync Pulse Generator with Genlock



Bi-Level Sync Burst
Phase Adjustment

Tri Level Sync
Output Selection

Genlock LED
(illuminated when locked)

USB Port
(Firmware Updates and
Remote Control)

Bi-Level Sync Output &
Audio Output Settings

Connections and Adjustments

All connections and adjustments are clearly indicated on the module and self explanatory. Settings can be changed with the module powered on or off.

Operation

The SPG 1708 provides 3 x HD/Tri-Level sync outputs and 3 x SD/Bi-level sync outputs. Tri-Level and Bi-Level Sync outputs are available simultaneously and can be set to any standard. Regardless of the settings made all sync outputs and the audio sync output are always frequency locked.

Stand Alone Use

With no genlock input connected the SPG 1708 will function as a standalone precision sync pulse generator which can be used as a reference source (2 ppm accuracy).

Genlock

When an analog sync input is connected (any standard or format) the SPG 1708 will genlock to this signal and all outputs are then frequency locked to the reference input. The connected reference is auto-detected and the green "genlock" LED will illuminate when locked. The sync outputs are timing locked when in the same frame rate group. (see below)

Group 1	Group 2	Group 3	Group 4	Group 5
23.98Hz	24Hz	25Hz & 50Hz	29.97Hz & 59.94Hz	30Hz & 60Hz

Audio Sync

The Audio Sync output can be set to a 48kHz Word Clock or a DARS Sync. Selection is made using the dip switch. The Audio Sync output is always frequency locked to the output sync signals.

Power

The module requires a 12V DC power input and a LED is provided to confirm power is connected. A power supply is provided, but if applying your own power, please provide a clean 12V DC power source.

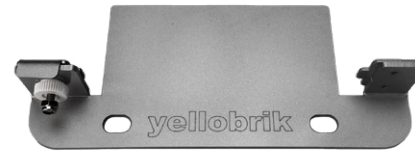
Power Lead Strain Relief

The module (different module shown here) has a small hole in the case which is located above the power connection. This prevents the power lead being accidentally pulled out. Use the supplied tie-wrap and secure the lead as shown below.



Optional Mounting Solutions

The optional RFR 1001 mounting bracket can be used to permanently mount the module on any surface or on 19" rack rails.



The optional RFR 1000-1 rack mount can be used to permanently mount up to 14 yellobrik modules. In addition, the RFR 1000-1 can provide full power redundancy for all mounted yellobriks.



Note: Another module is shown for reference. SPG 1708 is identical in terms of mounting and securing.