



## TECHNICAL DATA SHEET

### BAYONET-LOCK OB CONNECTOR 26 PIN WIRING CONVENTION (BBC “DEF 26 CONNECTORS”)

**44-851** 26-PIN CABLE SOCKET, WITH BAYONET PINS

**44-853** 26-PIN CABLE PLUG, WITH RING

**44-854** 26-PIN PANEL SOCKET, WITH BAYONET PINS

**44-850** 26-PIN PANEL PLUG, WITH RING

#### DESCRIPTION

These bayonet-lock connectors are manufactured to MIL-C 26482 and BS9522 specifications. The connector bodies are aluminium with a hard-wearing, black plated finish. Contacts are gold-plated copper alloy, rated at 5 amps. Connectors lock using a 3-pin bayonet action. They are available in chassis and cable versions with either a locking ring or bayonet pins.

#### CABLE ASSEMBLY

The 26 pin range has non-replaceable solderbucket connections. Cable connectors may comprise any cable plug or socket plus a special ferrule that is normally used to provide cable support. Assembly is usually completed with specially shaped adhesive-lined heatshrink boots which make a very robust connector assembly. The panel plug consists of a plug connector with a factory fitted, Canford manufactured, 4-hole circular flange. There are also moulded PVC splash-proof covers which provide protection for the connectors in use. These must be fitted onto the cable before the connector is fitted. Max cable diameter is 13mm. The tapered entry to the cover will need to be cut back to allow use with SQM7 (15.7mm o/d) and SQM8 (16.7mm o/d).

#### MULTIWAY CABLE IDENTIFICATION

BBC convention is to fit a black splashproof cover to the male end of the cable and a grey one to the female end. The male end would have the locking ring and the female the bayonet pins.

#### PANEL CONNECTOR DIMENSIONS

The 26 pin panel socket (with bayonet pins) has external flange dimensions 31.0mm x 1.6mm, mounting hole diameter 24.1mm, and 4 screw holes 3.05mm diameter at 24.6mm centres.

The 26 pin panel plug (with ring) has a flange diameter of 45mm. A mounting hole diameter of 24.1mm is required. 4 x M3 tapped screw holes are placed on the flange at 24.6mm centres.

#### TERMINATION SERVICE

A termination service is available for these connectors onto new or free issue cables – see “Cable Termination” in the index of the Canford Catalogue or call Technical Support. Re-termination can also be undertaken for damaged cables.



# TECHNICAL DATA SHEET

## ACCESSORIES

- 44-858 26 pin cable support ferrule
- 44-859 26 pin adhesive-lined heat shrink sleeve
- 44-860 26 pin splashproof cover, black
- 44-862 26 pin splashproof cover, red
- 44-868 26 pin splashproof cover, grey
- 31-708 SQM 8 cable

### WIRING CONVENTION (Using SQM8 cable for 8-channel multiway cables)

. Pin <small>(See note 1)</small>	Pair	BBC Circuit designation	Core identifying tracers Using SQM8 (31-708) cable <small>(See note 2)</small>
A, B (T)	1	1	Core (1) Brown
C, D (U)	2	2	Core (2) Red
E, F (V)	3	3	Core (3) Orange
G, H (W)	4	4	Core (4) Yellow
J, K (X)	5	5	Core (5) Green
L, M (Y)	6	6	Core (6) Blue
N, P (Z)	7	7	Core (7) Violet
R, S (a)	8	8	Core (8) Grey

**Note (1) Pin out information:** First letter = positive phase, (+);  
Second letter = negative phase, (-)  
Third letter denotes screen

**Note (2) Quad core colours are:** Blue/Red = positive phase,  
Green/White = negative phase

### Common BBC applications:

- Pattress = Fixed socket
- Headphone mixer = Fixed Plug
- OB Cable = Free socket (with grey gaiter) to free plug (with black gaiter).
- OB Far end box = Fixed plug + 8 XLR female connectors
- OB Mid box = Fixed plug - Fixed socket + 8 XLR male + 8 XLR female connectors
- OB Near end box = Fixed socket + 8 XLR male connectors

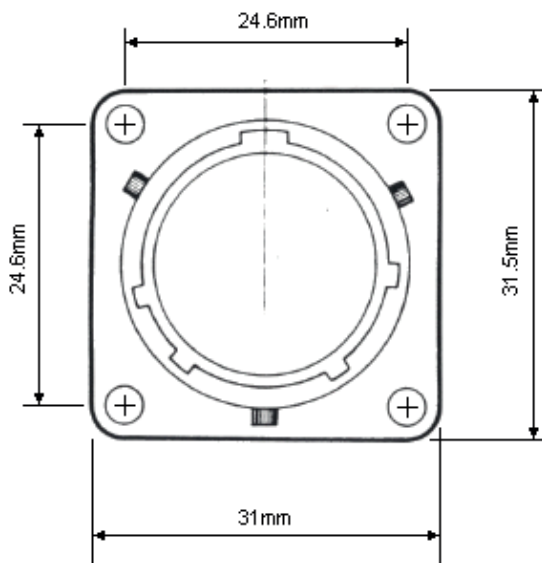


## TECHNICAL DATA SHEET

### WIRING CONVENTION (Using SQM7 cable for 7-channel multiway cables)

. Pin (See note 1)	Pair	BBC Circuit designation	Core identifying tracers Using SQM7 cable BBC PIF 28/1 (See note 2 above)
A, B (T)	1	1	Core (1) Blue
C, D (U)	2	2	Core (2) Orange
E, F (V)	3	3	Core (3) Green
G, H (W)	4	4	Core (4) Brown
J, K (X)	5	5	Core (5) Grey
L, M (Y)	6	6	Core (6) White
N, P (Z)	7	7	Core (7) Unmarked

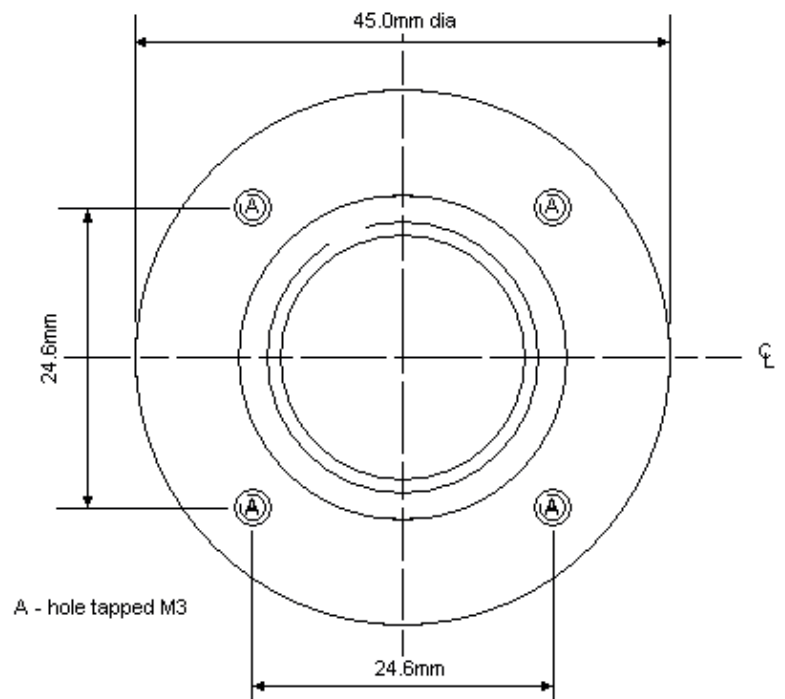
### MOUNTING DETAILS



4 x mounting holes 3.05mm dia.

24.1mm panel hole required

**44-854 26 pin panel socket, with bayonet pins**



A - hole tapped M3

24.1mm panel hole required

**44-850 26 pin panel plug, with ring**

**Adapter plate**