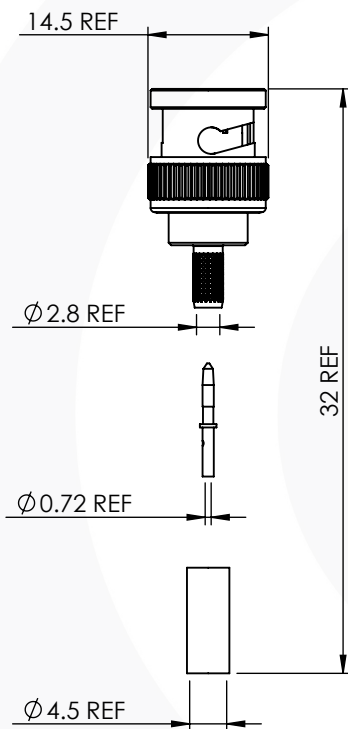


BNC STRAIGHT CRIMP/CRIMP PLUG 10-005-W126-EJ1



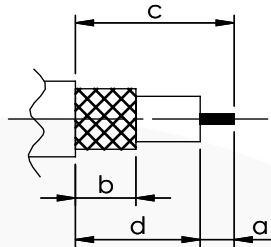
images for illustration purposes only



Suitable for Cables:

(EJ1) CANARE L-2.5CHWS

Stripping Dimensions



a = 4.0 mm [0.1575"] mm
b = 8.0 mm [0.1350"] mm
c = 16.0 mm [0.6299"] mm
d = 12.0 mm [0.4724"] mm

* CUT FOIL TO DIM. "b"

Assembly Procedure: AP001

Tooling

Centre Contact: SQ 1.07 [0.0421"] A/F Tool No: 96-HTS-77

Crimp Sleeve: Hex 4.52 [0.178"] A/F Tool No: 96-HTS-77

Alignment Tool: Not Applicable Extraction: 96-2208

Environmental Specification

Operating Temp: -55 to +155 Deg C.

IP Rating (Mated): IP 64

Electrical Specification Mechanical Specification

Impedance: 75 Ohm

Contact Retention: 10 N min

Frequency: 0-18 GHz

Cable Retention: 100 N min

Dielectric W/V: 1500 Veff

Mating cycles: 500

Insulation res: 5000 M-Ohm

Weight: 11.37 g

ITEM	DESCRIPTION	MATERIAL	PLATING
7	WASHER	SK5	NICKEL
6	BAYONET CAP	BRASS	BLACK NICKEL
5	CRIMP SLEEVE	BRASS	NICKEL
4	GASKET	SILICONE	N/A
3	CENTRE CONTACT	BRASS	GOLD
2	INSULATOR	PTFE	N/A
1	BODY	BRASS	GOLD

A4 SHEET 1 OF 1		DIMENSIONS ARE IN MILLIMETRES		
REVISION :	A00	NAME	SIGNATURE	DATE
ISSUE :	1	DRAWN	P.P.	05/04/2019
		CHK'D	G.E.	25/04/2019
		APP'V'D		

THE INFORMATION IS GIVEN AS AN INDICATION ONLY AND IS SUBJECT TO CHANGE WITHOUT NOTICE. IN THE CONTINUAL GOAL TO IMPROVE OUR PRODUCTS, WE RESERVE THE RIGHT TO MAKE ANY MODIFICATIONS NECESSARY WITHOUT PRIOR NOTICE.